



- 542 Fittings for sliding doors
- 576 Recessed lever handles
- 588 Fittings for emergency exit and panic doors
- 612 XXL door handles

FSB caters to all aspects of handle culture in built space from a single source. This includes fittings for special doors and application areas. Sliding doors are a particularly good way to connect rooms and save space at the same time. Our delightful recessed handles complete this design concept. Even where functional aspects are the most important considerations, FSB continues to be the first – and most aesthetically appealing – choice. (Pictured: FSB 13 4256 sliding door handle)

Project: Family home, Gütersloh
Architectural firm: Heitmann Architekten



- 542 Fittings for sliding doors
- 550 Sliding door handles
- 569 Technical information

Fittings for sliding doors

Added value at a glance

Sliding doors are currently undergoing a veritable renaissance. In select residential properties, they engender a sense of luxurious minimalism and spacious living. The efficient use of space they afford can benefit smaller commercial properties as well. Sliding doors connect rooms in a flexible and especially inviting way. FSB has come up with a new range of sliding door

handles that offer a compelling combination of design and function in equal measure. A large selection of round and angular variants is available in a number of individual colour combinations. The innovative operating concept combines the locking, opening and sliding functions in a single element.

Different designs in angular or round shapes

Variants with locking function for bathroom and WC doors

Diverse materials and finishes in aluminium, stainless steel and bronze for continuity of design when combining with any FSB door or window handle

Concealed fixing for optimal aesthetics without screws

Integration in any interior design concept thanks to versatile design, material and finish options

Suitable for single and double-leaf sliding doors



Simple and tool-free installation: the area or frame is cut out and the handle is simply pressed into place.

In the case of flush timber doors, the handle is surface-mounted so as to hide any unty-routed edges.

Innovative operating concept for locking, opening and sliding

Installation depth of just 12.5 mm allows for use in pairs, including with a lock on standard 38 mm thick doors. Very thin sliding doors at least 25 mm thick can be used in pairs without a lock.

Flush-fitted installation to squeeze sliding door into narrow wall recesses

Click-stop mechanism for handles with twist thumb turn: thumb turn always sits in a precisely vertical position.



7a

Fittings for sliding doors

Product variants

Product features of sliding door handles

- For single and double-leaf sliding doors
- Concealed fixing
- Round, oval and angular variants
- Different shapes with open or enclosed recess
- Tool-free installation

Sliding door handles oval and rectangular



- Open, enclosed and semi-enclosed variants
- Suitable routing jig available

Sliding door handles round and square



- Open, enclosed and semi-enclosed variants
- Suitable routing jig available

Sliding door handles for bathroom and WC



- Enclosed variant
- With sliding-door mortice lock
- Suitable for standard door thicknesses of 38–42 mm; available up to door thickness 62 mm

Product features of sliding door handles with gripping device

- For single and double-leaf sliding doors
- Consisting of three components: shell, grip/thumb turn, faceplate
- Faceplate can be designed to match the door finish
- Diverse shapes and colours available
- Innovative operating concept: locking, opening and closing functions in a single element
- Improved ergonomics: gripping device tilts by 18° when operated
- Tool-free installation

Sliding door handles angular with gripping device

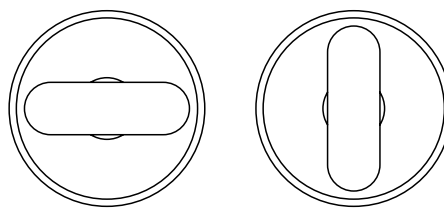


- Lockable (with twist thumb turn) and non-lockable variants
- Option of profile cylinder (PC) keyway
- Gripping device tilts in both directions

Sliding door handles round and square with gripping device



- Lockable (with twist thumb turn) and non-lockable variants
- Gripping device tilts in both directions



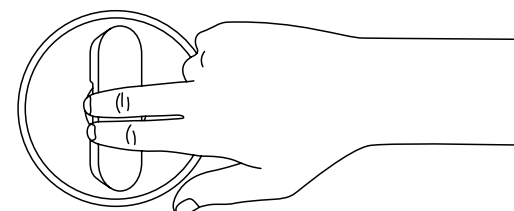
locked

unlocked

Sliding door handles round with round gripping device



- Not lockable
- Fixed gripping device, tilts





slide/open

7a


Fittings for sliding doors

Overview


Sliding door handles

42 4211 
42 4212 
Page 562




42 4250 
Page 550




42 4251 
Page 551




42 4252 
Page 552




42 4253 
Page 553




42 4254 
Page 552




42 4255 
Page 552 f.



42 4255 
Page 556



42 4255 
Page 559 f.



Sliding door handles

with gripping device

42 4260 ■ ■
Page 563



42 4261 ■ ■
Page 563



42 4262 ■ ■
Page 564



42 4263 ■ ■
Page 564



42 4264 ■ ■
Page 565



42 4265 ■ ■
Page 565



7a

Fittings for sliding doors

Oval sliding door handles

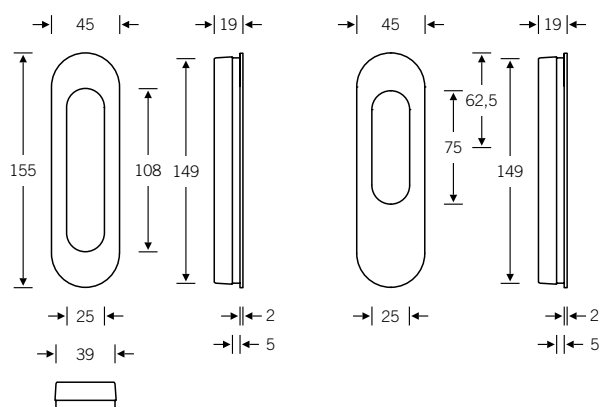
- Aluminium
- Stainless steel
- Bronze

42 4250

For single and double-leaf sliding doors

- 42 4250 00000 (open)*
- 42 4250 00001 (enclosed)
- 42 4250 00002 (semi-enclosed)

Recess 150 × R20 × 17.5 mm



* 42 4250 00000 also available in bronze

For FSB routing jig 03 0462 00020 9600 for mechanically routing the recess for FSB sliding door handles, see page 780

Fittings for sliding doors

Rectangular sliding door handles

■ Aluminium
■ Stainless steel
■ Bronze

42 4251 ■ ■ ■

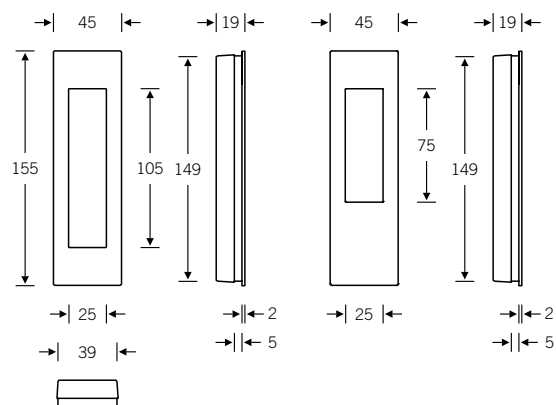
For single and double-leaf sliding doors

42 4251 00000 (open)*
 42 4251 00001 (enclosed)
 42 4251 00002 (semi-enclosed)

Recess 150 × R 20 × 17.5 mm



7a



* 42 4251 00000 also available in bronze

For FSB routing jig 03 0462 00020 9600 for mechanically routing the recess for FSB sliding door handles, see page 780

Fittings for sliding doors

Round sliding door handles

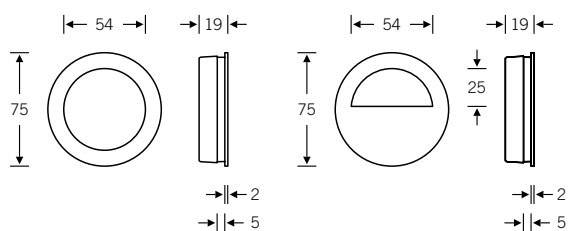
■ Aluminium
■ Stainless steel
■ Bronze

42 4252 ■ ■

For single and double-leaf sliding doors

42 4252 00000 (open)
 42 4252 00001 (enclosed)
 42 4252 00002 (semi-enclosed)

Recess $\varnothing 70 \times 17.5$ mm

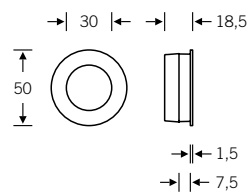
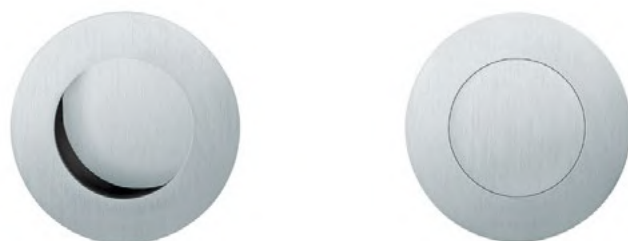


42 4254 ■ ■

For single and double-leaf sliding doors

42 4254 00000 (open)
 42 4254 00001 (enclosed)

Recess $\varnothing 45 \times 17.5$ mm




For FSB routing jig 03 0462 00020 9600 for mechanically routing the recess for FSB sliding door handles, see page 780

Fittings for sliding doors

Square sliding door handles

■ Aluminium
■ Stainless steel
■ Bronze

42 4253 

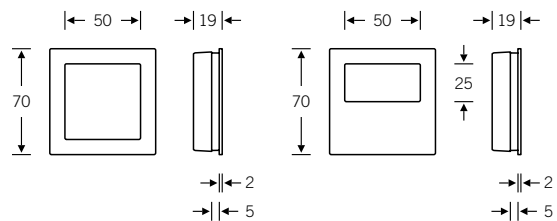
For single and double-leaf sliding doors

42 4253 00000 (open)
42 4253 00001 (enclosed)
42 4253 00002 (semi-enclosed)

Recess 65 × 65 × 17.5 mm
Corner radius R 15



7a



For FSB routing jig 03 0462 00020 9600
for mechanically routing the recess for
FSB sliding door handles, see page 780

Fittings for sliding doors

Sliding door handle with warded lock (WL) keyway

- Aluminium
- Stainless steel
- Bronze

42 4255 ■

For single-leaf sliding doors

42 4255 09002
Set with sliding-door mortice lock series 71/WL

42 4255 09003
Set with sliding-door mortice lock series 72/WL

Suitable for door thicknesses of 42 – 44 mm
Stainless steel forend

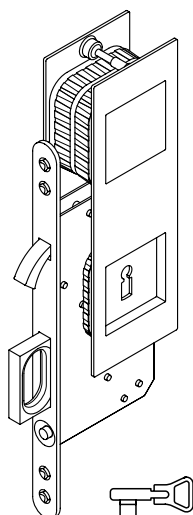
Scope of delivery:

- Set
- Sliding-door mortice lock series 71/WL or 72/WL
- Strike plate
- Folding key

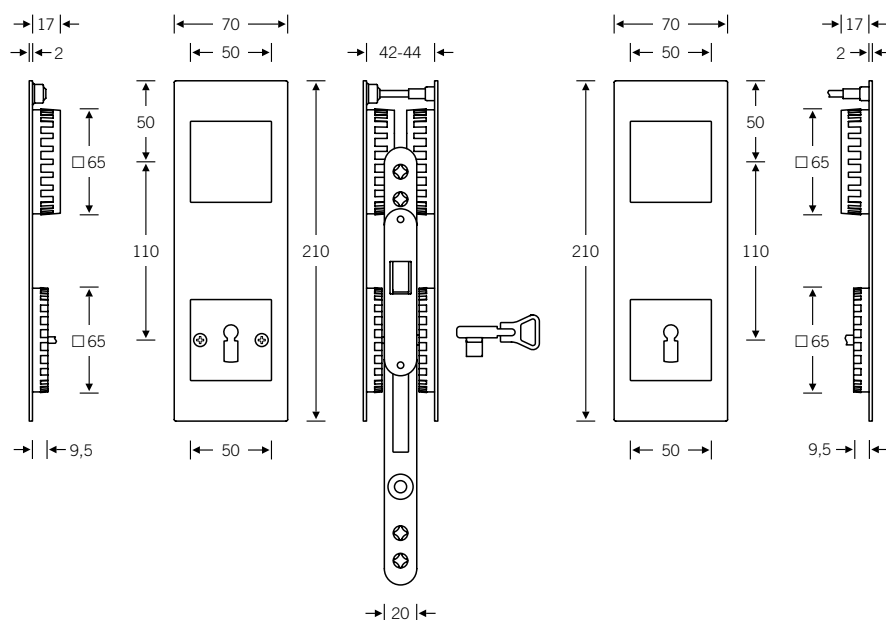


Outside

Inside



42 4255
Key



Note: CNC machining is required for routing recesses; CNC routing details can be found at www.fsb.de/cnc

Fittings for sliding doors

Sliding door handle with profile cylinder (PC) keyway

■ Aluminium
■ Stainless steel
■ Bronze

42 4255 ■

For single-leaf sliding doors

42 4255 09004

Set with sliding-door mortice lock series 71/PC

42 4255 09005

Set with sliding-door mortice lock series 72/PC

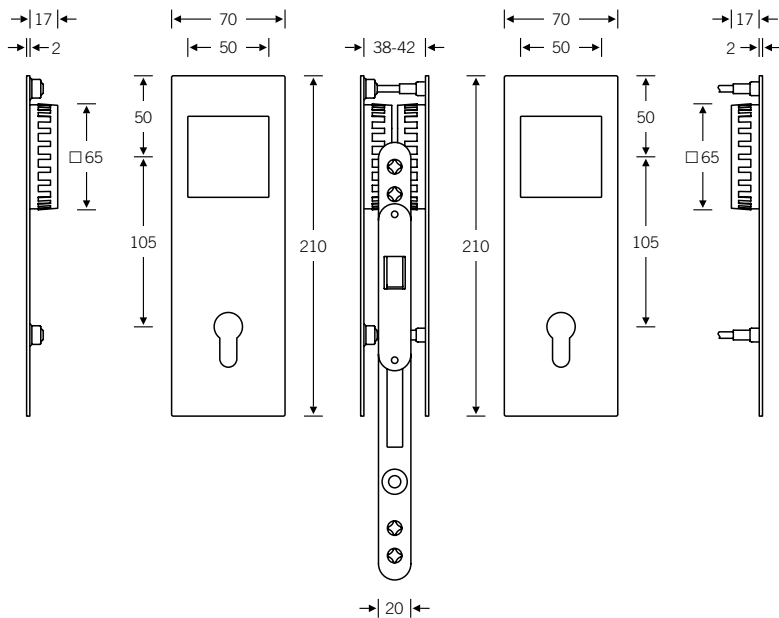
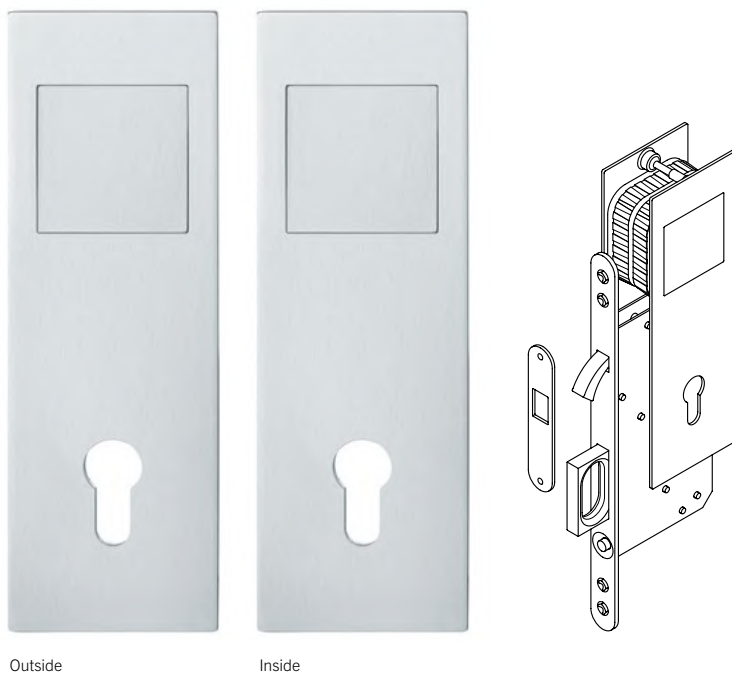
FSB recommendation: only suitable for door thickness of 55 mm upwards

Note: if the door is intended to move completely into the door casing, adapt the cylinder length to the door thickness.

Stainless steel forend and strike plate

Scope of delivery:

- Set
- Sliding-door mortice lock series 71/PC or 72/PC
- Strike plate



Note: CNC machining is required for routing recesses; CNC routing details can be found at www.fsb.de/cnc

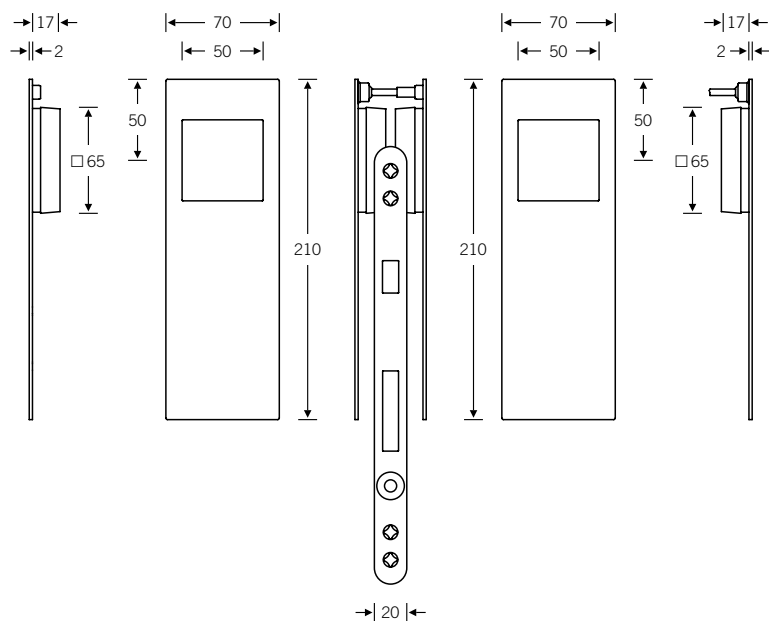
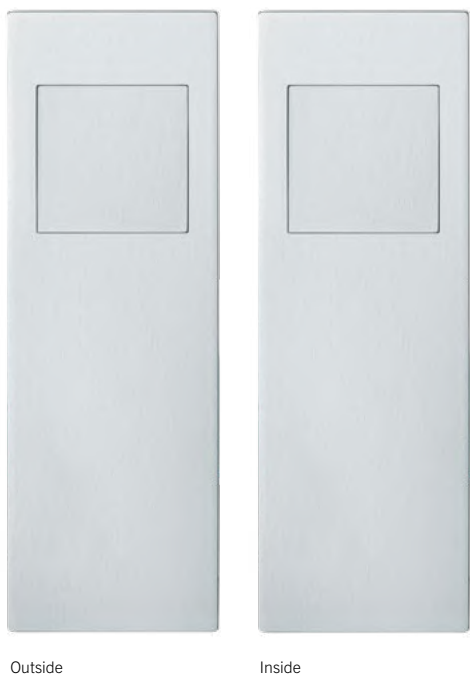
7a

Fittings for sliding doors

Sliding door handle without keyway

- Aluminium
- Stainless steel
- Bronze

42 4255 ■



For double-leaf sliding doors

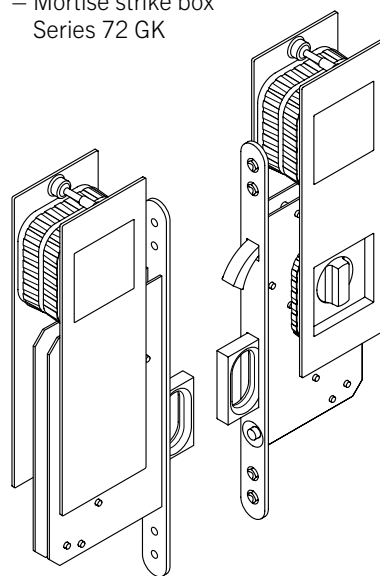
42 4255 09006
Set with mortise strike box series 72 GK
(with spring pull)

For use on double-leaf sliding doors,
FSB 42 4255 09008
is also required (see page 558).

Suitable for standard door thicknesses
of 38–42 mm; available up to door
thickness 62 mm
Stainless steel forend

Scope of delivery:

- Set
- Mortise strike box
Series 72 GK



42 4255 09006

42 4255 09008
(must be ordered separately;
see page 554)

Note: CNC machining is required for
routing recesses; CNC routing details
can be found at www.fsb.de/cnc

Fittings for sliding doors

Sliding door handle for bathroom and WC

- Aluminium
- Stainless steel
- Bronze

42 4255 ■

For single and double-leaf sliding doors

42 4255 09007

Set with sliding-door mortice lock series 71/WC (with compass bolt)

For use on double-leaf sliding doors, FSB 42 4255 09006 is also required (see page 556).

Suitable for standard door thicknesses of 38–42 mm; available up to door thickness 62 mm
Stainless steel forend and strike plate

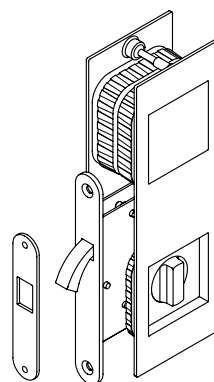
Scope of delivery:

- Set
- Sliding-door mortice lock Series 71/WC
- Strike plate

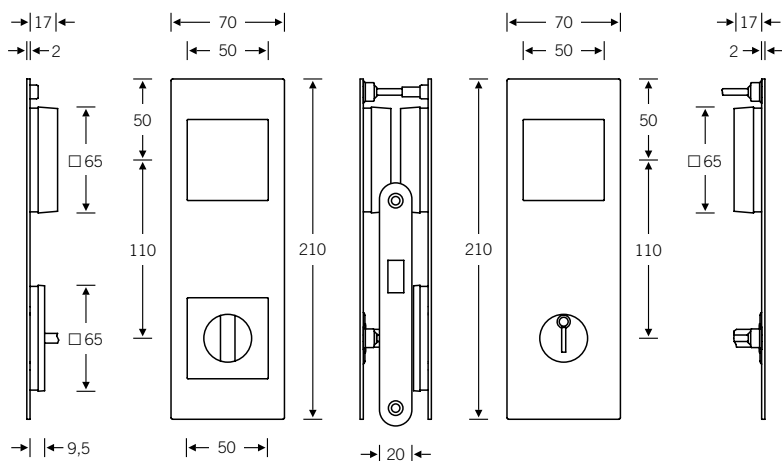


Outside

Inside



Pictured: installation example for single-leaf sliding door



Note: CNC machining is required for routing recesses; CNC routing details can be found at www.fsb.de/cnc

Fittings for sliding doors

Sliding door handle for bathroom and WC

- Aluminium
- Stainless steel
- Bronze

42 4255 ■

For single and double-leaf sliding doors

42 4255 09008

Set with sliding-door mortice lock series 72/WC (with compass bolt and spring pull)

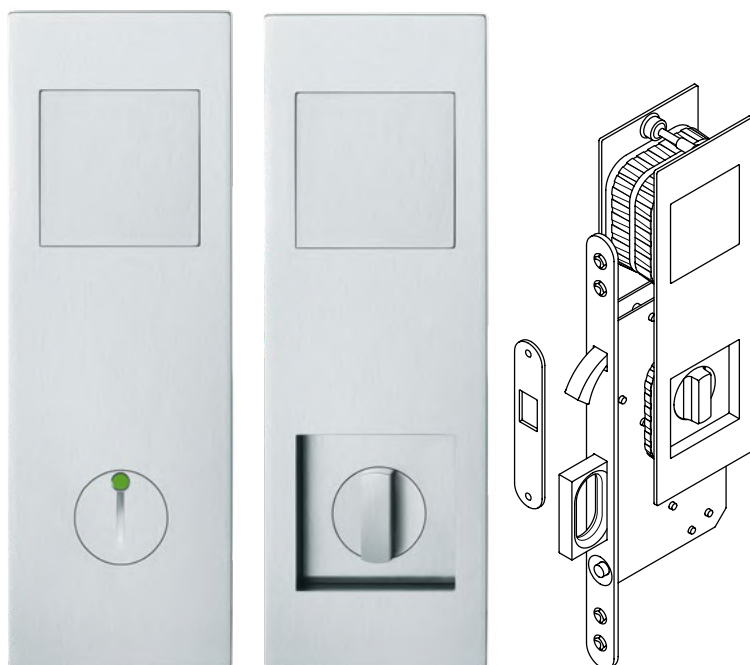
For use on double-leaf sliding doors, FSB 42 4255 09006 is also required (see page 556).

Suitable for standard door thicknesses of 38–42 mm; available up to door thickness 62 mm

Stainless steel forend and strike plate

Scope of delivery:

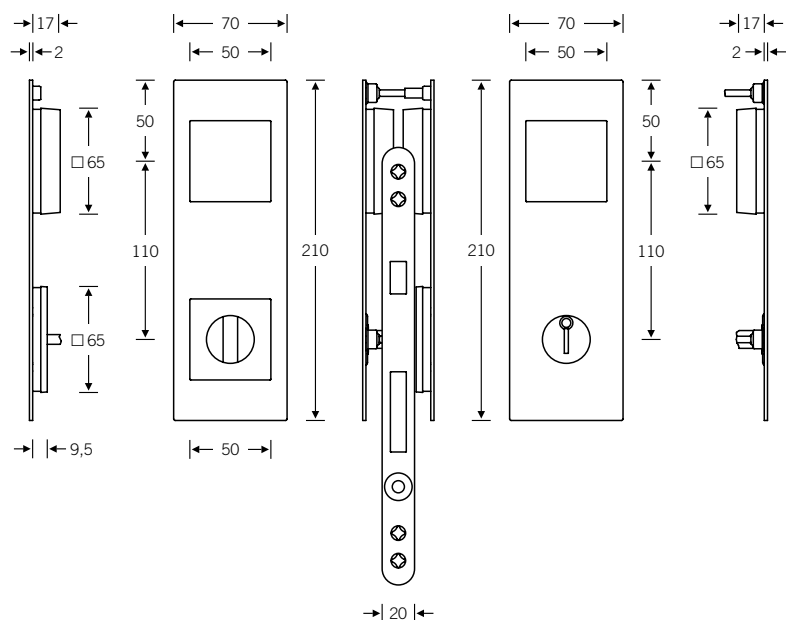
- Set
- Sliding-door mortice lock Series 72/WC
- Strike plate



Outside

Inside

Pictured: installation example for single-leaf sliding door



Note: CNC machining is required for routing recesses; CNC routing details can be found at www.fsb.de/cnc

Fittings for sliding doors

Sliding-door mortice lock

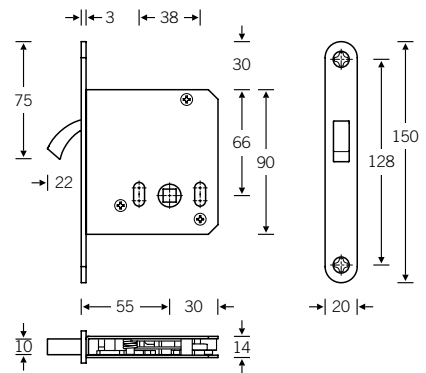
- Aluminium
- Stainless steel
- Bronze

Series 71/WC

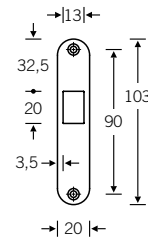
Sliding-door mortice lock grade 3

Round flat forend
 Polished stainless steel forend
 Nickel-plated compass bolt

Sliding-door mortice lock and strike plate included in scope of delivery for FSB 42 4255 09007



Strike plate



7a

Fittings for sliding doors

Sliding-door mortice lock

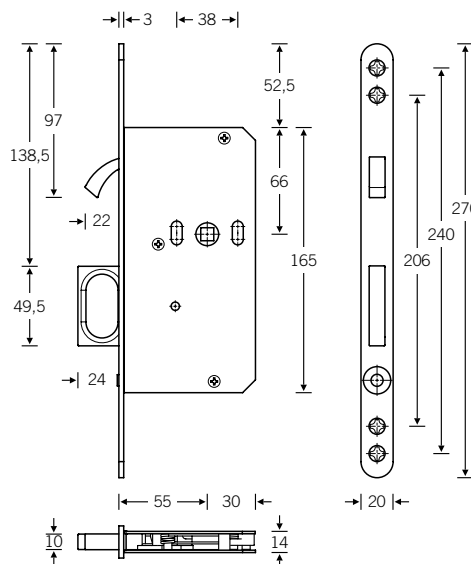
- Aluminium
- Stainless steel
- Bronze

Series 72/WC

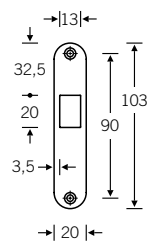
Sliding-door mortice lock grade 3

Round flat forend
 Polished stainless steel forend
 Nickel-plated spring pull, compass bolt
 and push-button

Sliding-door mortice lock and strike
 plate included in scope of delivery for
 FSB 42 4255 09008



Strike plate



Sliding-door mortice locks and strike
 plates are not available from FSB as
 individual parts

Fittings for sliding doors

Mortise strike box

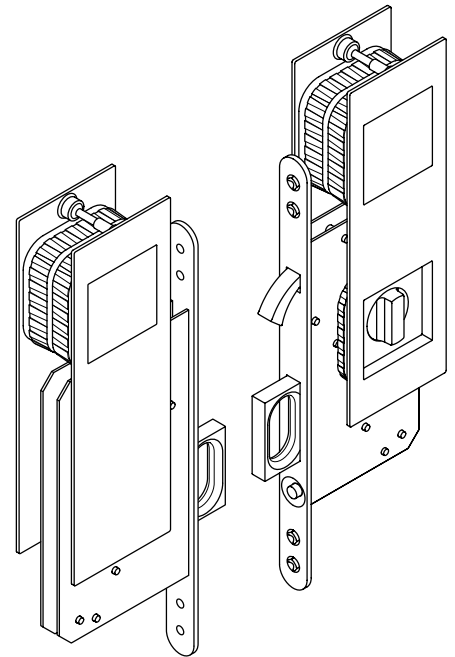
- Aluminium
- Stainless steel
- Bronze

Series 72 GK

Mortise strike box for sliding-door mortise lock series 72/WC

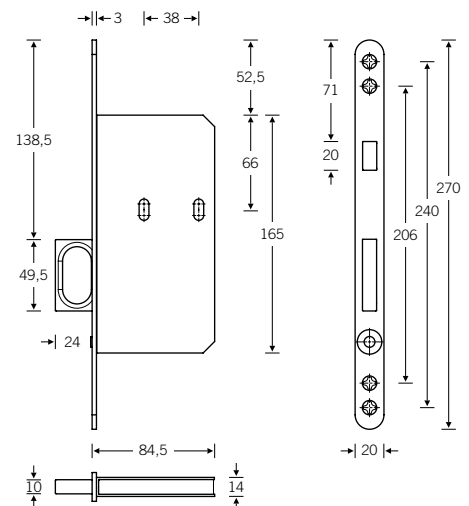
Polished stainless steel forend
Nickel-plated spring pull and push-button

Mortise strike box included in scope of delivery for FSB 42 4255 09006



Pictured:
installation example
for double-leaf sliding door

7a



Sliding-door mortise locks and strike plates are not available from FSB as individual parts

Fittings for sliding doors

Sliding door handles with visible fixing

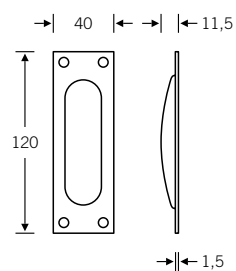
- Aluminium
- Stainless steel
- Bronze

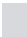

42 4211   



Recess $87 \times 28 \times 10$ mm
Drill hole for countersunk screws $\varnothing 2.9$ mm

Can be supplied with warded lock (WL),
profile cylinder (PC) keyways or without
keyway

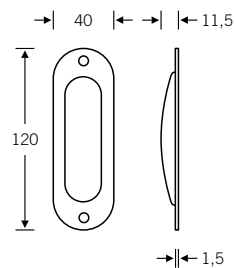


42 4212  



Recess $87 \times 28 \times 10$ mm
Drill hole for countersunk screws $\varnothing 2.9$ mm

Can be supplied with warded lock (WL),
profile cylinder (PC) keyways or without
keyway



Fittings for sliding doors

Angular sliding door handles with gripping device

- Aluminium
- Stainless steel
- Bronze

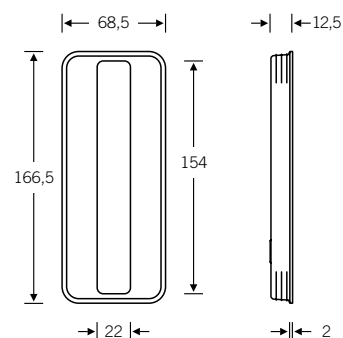
42 4260



For single and double-leaf sliding doors

00000 (not lockable)
Fixed gripping device, tilts in both directions

Recess 163 × 65 × 12.5 mm



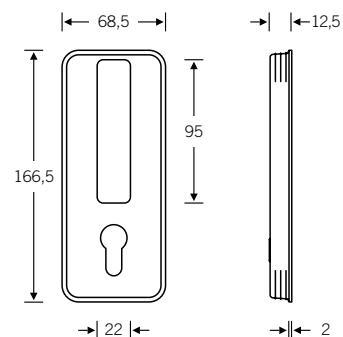
42 4261



For single and double-leaf sliding doors*

00010 (lockable)
Fixed gripping device, tilts in both directions, for compass bolt lock with profile cylinder (PC) keyway (door thickness 55 mm upwards)

Recess 163 × 65 × 12.5 mm



Design: Michael Schmidt

Note: the pictures shown here are for reference only; the actual product may differ.

* For double-leaf sliding doors in combination with FSB 42 4260

7a

Fittings for sliding doors

Angular sliding door handles with gripping device

- Aluminium
- Stainless steel
- Bronze

42 4262

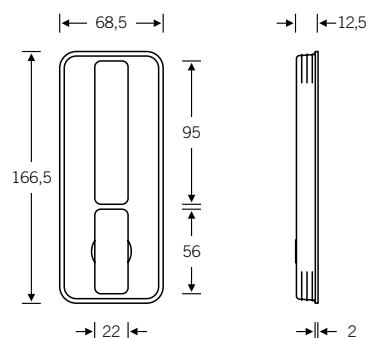


For single and double-leaf sliding doors*

00008 (lockable)

Fixed gripping device (top), tilts in both directions, twist thumb turn (bottom), for compass bolt lock

Recess 163 × 65 × 12.5 mm



42 4263



For single and double-leaf sliding doors**

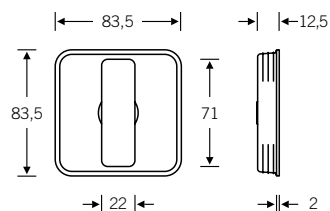
00000 (not lockable)

Fixed gripping device, tilts in both directions

01008 (lockable)

Twist gripping device, tilts in both directions, for compass bolt lock

Recess: 80 × 80 mm × 12.5 mm



Design: Michael Schmidt

Note: the pictures shown here are for reference only; the actual product may differ.

* For double-leaf sliding doors in combination with FSB 42 4260

** For double-leaf sliding doors: combination of FSB 42 4263 00000 and FSB 42 4263 01008

Fittings for sliding doors

Round sliding door handles with gripping device

■ Aluminium
■ Stainless steel
■ Bronze

42 4264 ■ ■

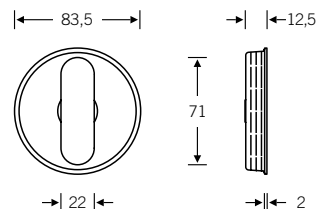


For single and double-leaf sliding doors*

00000 (not lockable)
Fixed gripping device, tilts in both directions

01008 (lockable)
Twist gripping device, tilts in both directions,
for compass bolt lock

Recess: $\varnothing 80 \text{ mm} \times 12.5 \text{ mm}$



42 4265 ■ ■

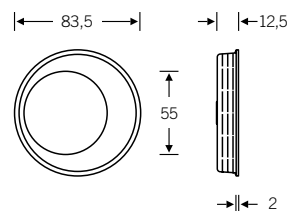


Pictured: right-hand model

For single and double-leaf sliding doors

00004 (right, not lockable)
00005 (left, not lockable)
Round fixed gripping device, tilts

Recess: $\varnothing 80 \text{ mm} \times 12.5 \text{ mm}$



7a

Design: Michael Schmidt








Note: the pictures shown here are for reference only; the actual product may differ.

* For double-leaf sliding doors:
combination of FSB 42 4264 00000
and FSB 42 4264 01008

Fittings for sliding doors

Colour combinations

The configuration of our new sliding door handles 42 4260 – 42 4265 is such that the faceplate can be custom-designed so as to acquire a timber look finish to match the face of the door, for instance. FSB will be pleased to provide you with CAD data for the purpose of planning the faceplate.

	Angular/round shell (metal)	Faceplate (metal)	FSB colour code
	Blasted aluminium natural colour, anodised	Polished aluminium natural colour, anodised (0105)	1100
		Blasted aluminium black, anodised (0810)	1102
	Blasted aluminium black, anodised (0810)	Polished aluminium natural colour, anodised (0105)	1115
		Blasted aluminium black, anodised (0810)	1117
		Dark bronze, patinated and waxed (7625)	1119
	Powder-coated aluminium white matt, RAL 9016	Powder-coated aluminium white matt, RAL 9016	8252
	Stainless Steel, brushed satin matt (6204)	Stainless Steel, brushed satin matt (6204)	6443

Further colour combinations available upon request

Note: the pictures shown here are for reference only; the actual product may differ.

569 **Technical information**
Fittings for sliding doors

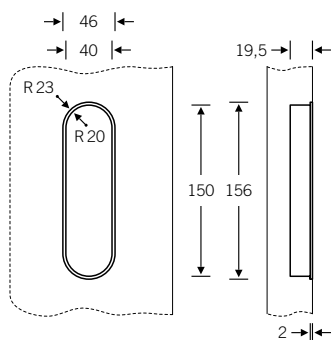
Technical information

Routing dimensions for sliding door handles

42 4250

42 4250 00000 (open)
42 4250 00001 (enclosed)
42 4250 00002 (semi-enclosed)

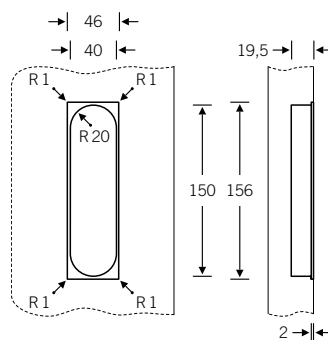
Recess for surface-mounted installation:
150 × R 20 × 17.5 mm



42 4251

42 4251 00000 (open)
42 4251 00001 (enclosed)
42 4251 00002 (semi-enclosed)

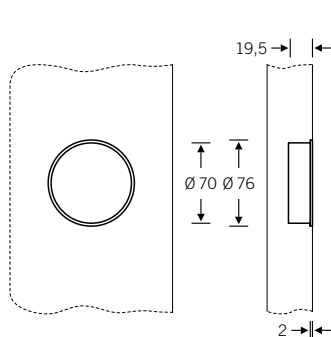
Recess for surface-mounted installation:
150 × R 20 × 17.5 mm



42 4252

42 4252 00000 (open)
42 4252 00001 (enclosed)
42 4252 00002 (semi-enclosed)

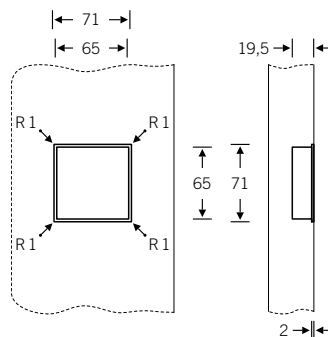
Recess for surface-mounted installation:
Ø 70 × 17.5 mm



42 4253

42 4253 00000 (open)
42 4253 00001 (enclosed)
42 4253 00002 (semi-enclosed)

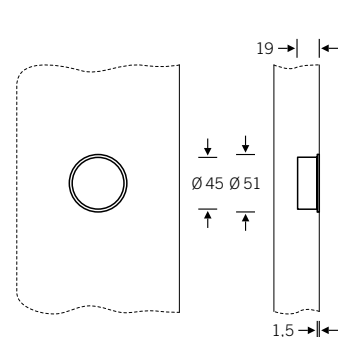
Recess for surface-mounted installation:
65 × 65 × 17.5 mm
Corner radius R 15



42 4254

42 4254 00000 (open)
42 4254 00001 (enclosed)

Recess for surface-mounted installation:
Ø 45 × 17.5 mm



We recommend doing making test cuts during routing in order to check the precise fit of the sliding door handles individually.

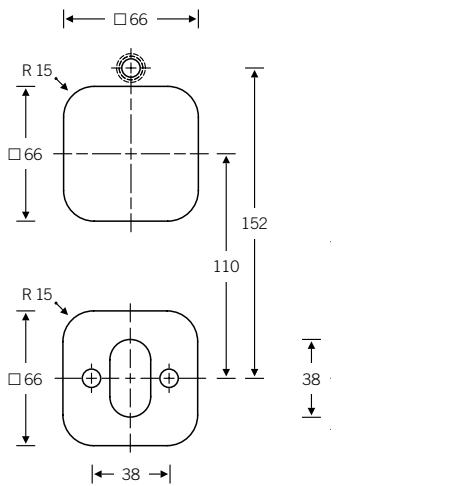
For suitable routing jig 03 0462 00020, see page 780

Technical information

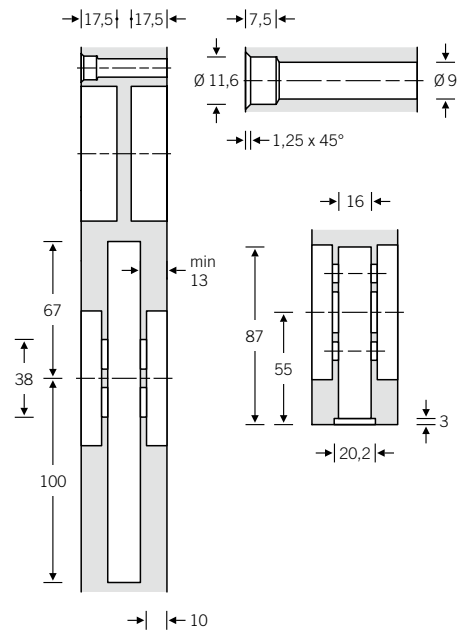
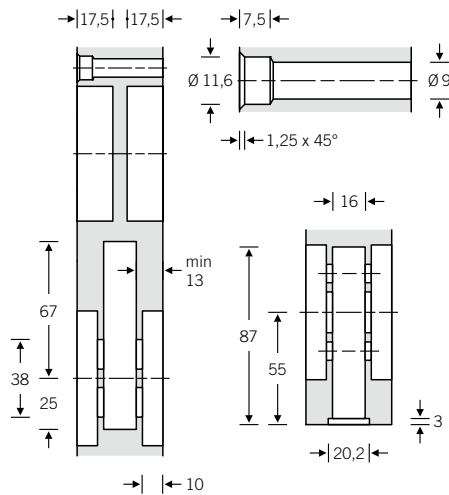
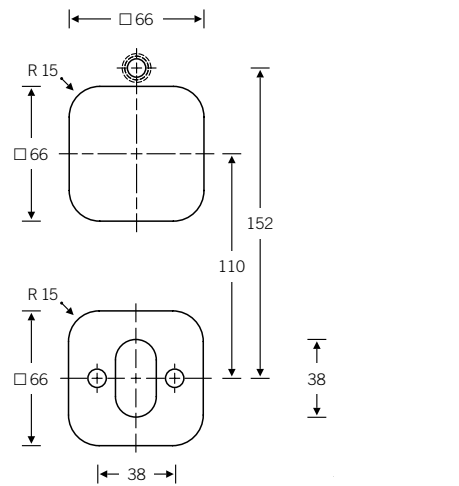
Routing dimensions for sliding door handles

42 4255

42 4255 09002
Set with sliding-door mortice lock
series 71/WL
Minimum door thickness 42 mm



42 4255 09003
Set with sliding-door mortice lock
series 72/WL
Minimum door thickness 42 mm



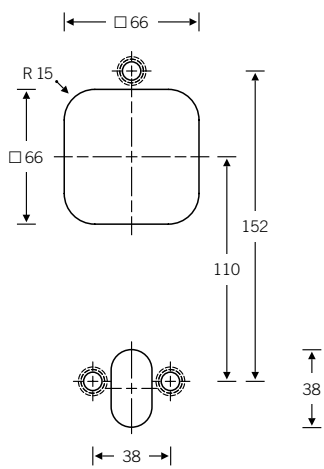
CNC routing details can be downloaded
from: www.fsb.de/cnc

Technical information

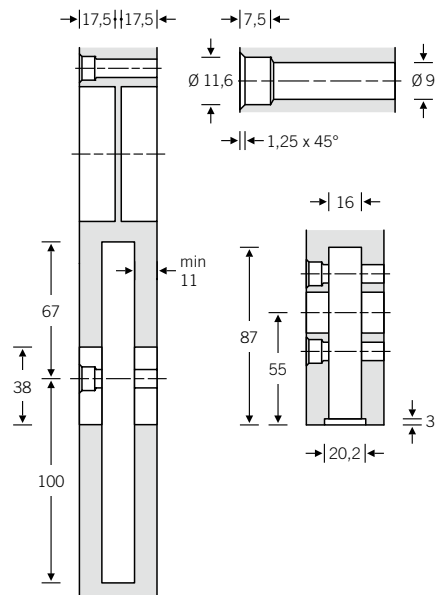
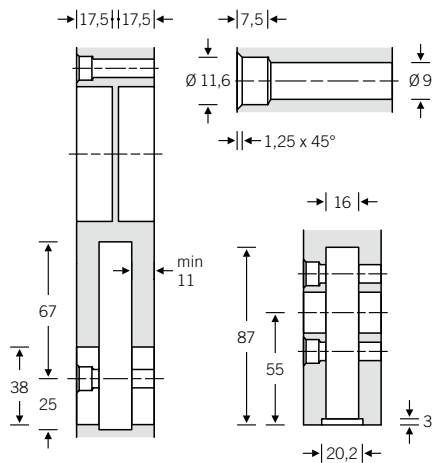
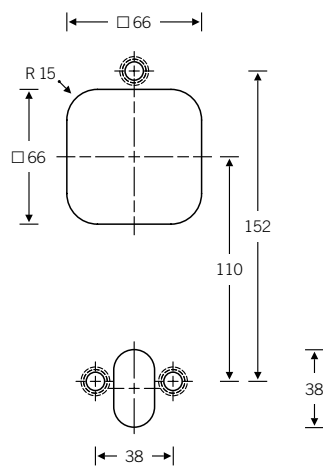
Routing dimensions for sliding door handles

42 4255

42 4255 09004
Set with sliding-door mortice
lock series 71/PC
Minimum door thickness 38 mm



42 4255 09005
Set with sliding-door mortice
lock series 72/PC
Minimum door thickness 38 mm



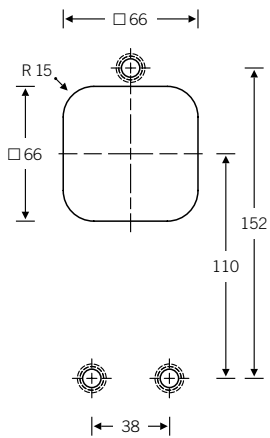
CNC routing details can be downloaded
from: www.fsb.de/cnc

Technical information

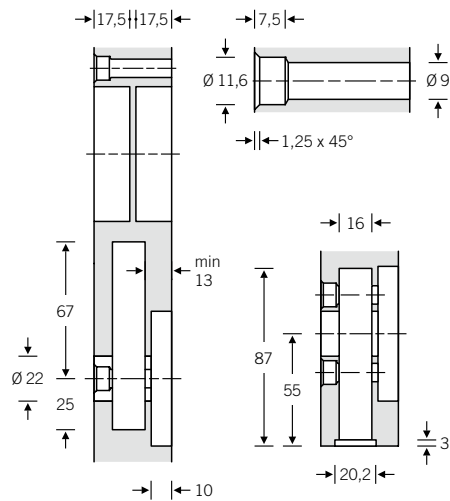
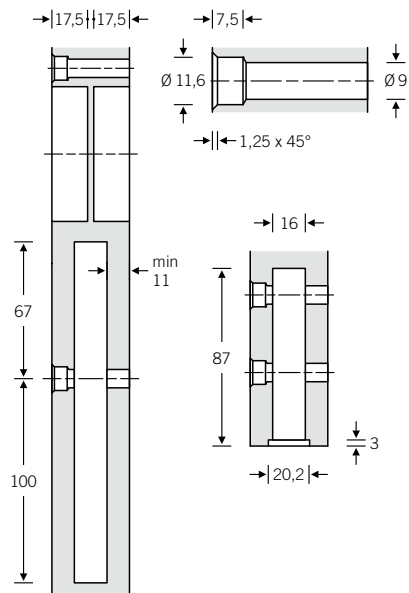
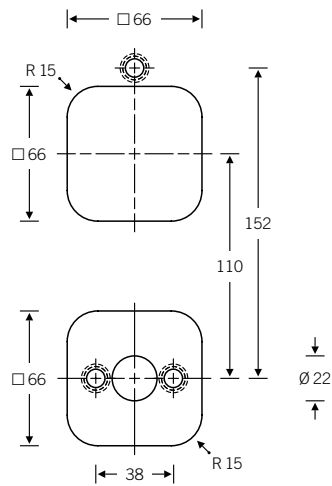
Routing dimensions for sliding door handles

42 4255

42 4255 09006
Set with mortise strike box
series 72 GK
Minimum door thickness 38 mm



42 4255 09007
Set with sliding-door mortice lock
series 71/WC
Minimum door thickness 38 mm



CNC routing details can be downloaded
from: www.fsb.de/cnc

Technical information

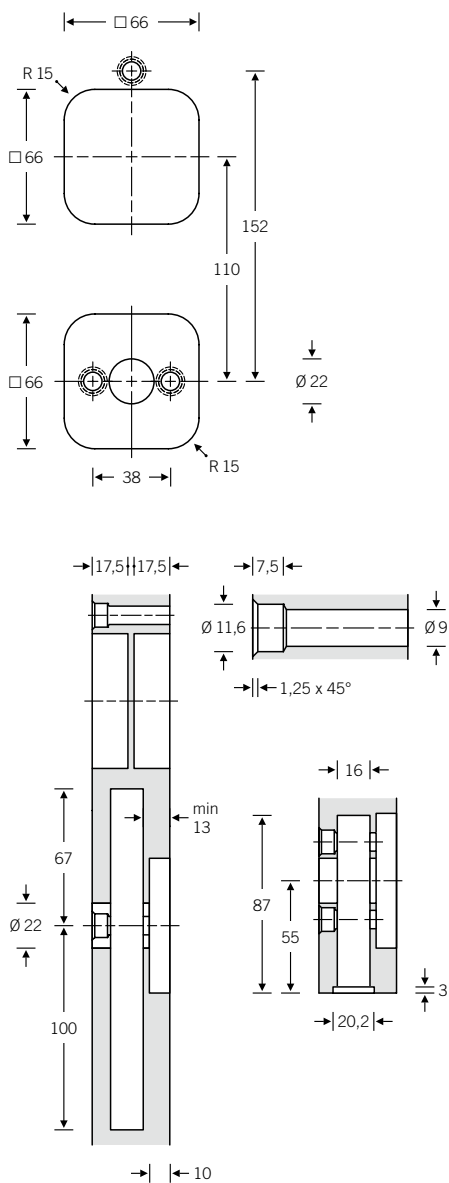
Routing dimensions for sliding door handles

42 4255

42 4255 09008

Set with sliding-door mortice lock
series 72/WC

Minimum door thickness 38 mm



CNC routing details can be downloaded
from: www.fsb.de/cnc

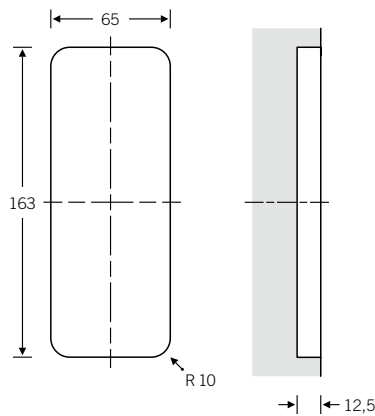
Technical information

Routing dimensions for sliding door handles

42 4260

42 4260 00000 (not lockable,
fixed gripping device)

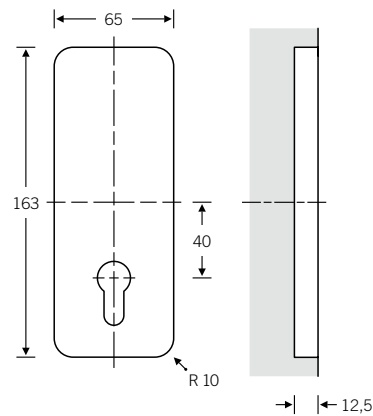
Recess for surface-mounted installation:
163 × 65 × 12.5 mm



42 4261

42 4261 00010 (lockable,
fixed gripping device,
profile cylinder (PC)
keyway)

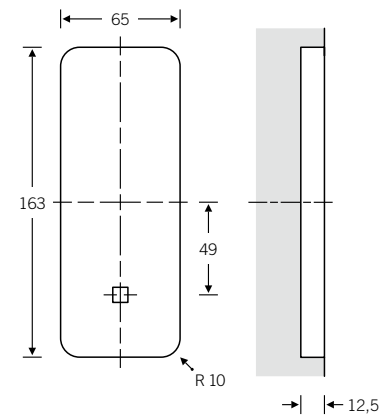
Recess for surface-mounted installation:
163 × 65 × 12.5 mm



42 4262

42 4262 00008 (lockable,
fixed gripping device on
top, twist thumb turn on
bottom)

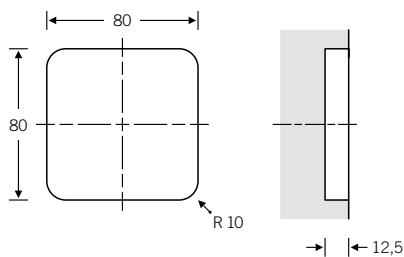
Recess for surface-mounted installation:
163 × 65 × 12.5 mm



42 4263

42 4263 00000 (not lockable,
fixed gripping device)
42 4263 01008 (lockable,
twist gripping device)

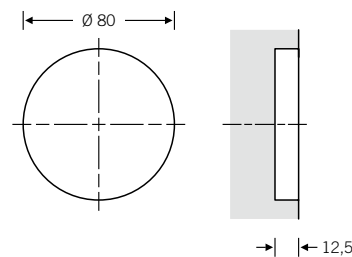
Recess for surface-mounted installation:
80 × 80 × 12.5 mm



42 4264 | 42 4265

42 4264 00000 (not lockable,
fixed gripping device)
42 4264 01008 (lockable,
twist gripping device)
42 4265 00000 (not lockable,
round fixed gripping
device)

Recess for surface-mounted installation:
∅ 80 × 12.5 mm



For suitable routing jig 03 0462 00050,
see page 781

7a